

Keerthi G N
AE

Amruthamshu K P
AE

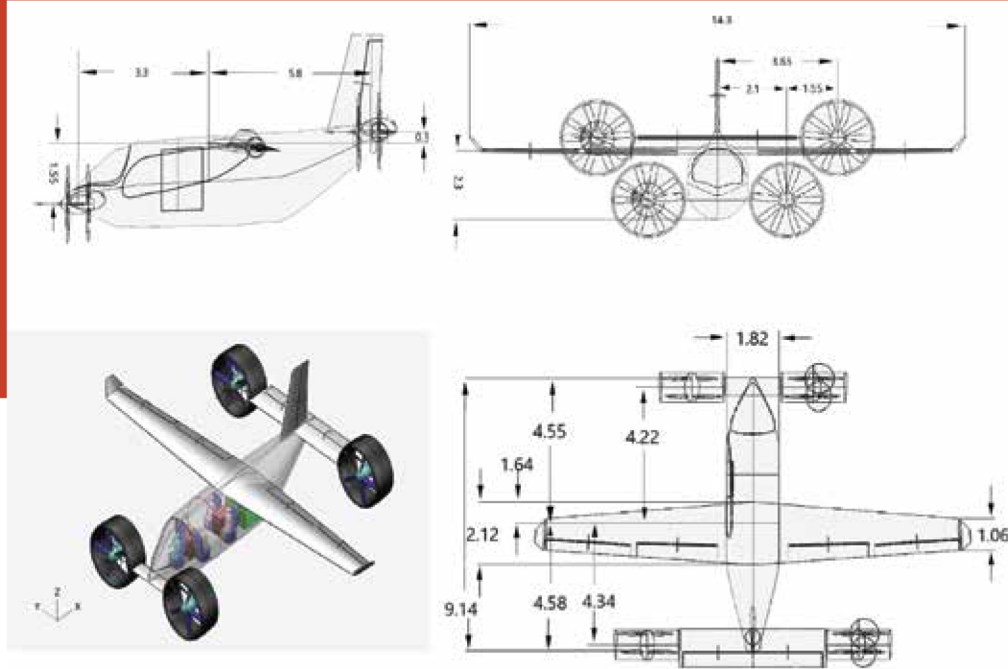
Koushik Udayachandran
AE

Mithun Francis P
AE

Atyab Hakeem
AE

19 PROJECT

INTER-CITY ELECTRIC VERTICAL TAKE-OFF AND LANDING AIRCRAFT (ICeVTOLA)



Inter-city Electric Vertical Take-off and Landing Aircraft (ICeVTOLA) is the competition project given by Aeronautical Society of India - Design division, for the National Aeronautical Conceptual Design competition. The task is to design an aircraft with the specified mission and constraints provided by the organizers. The statutory body certification process should be followed or suggested. The manufacturing and operating cost estimations are also a part of the competition.

Features

- Payload capacity: 500 kg
- Air taxi mode: four pax and 0.5m³ cargo hold
- Cruise and Maximum Speed: 200 and 250 kmph TAS
- En-route Maintain separation of >600m

Applications

1. Can be used as Air taxi for four passengers
2. Can be used to transport Air cargo up to 1.5m³
3. Can be used as an Air ambulance